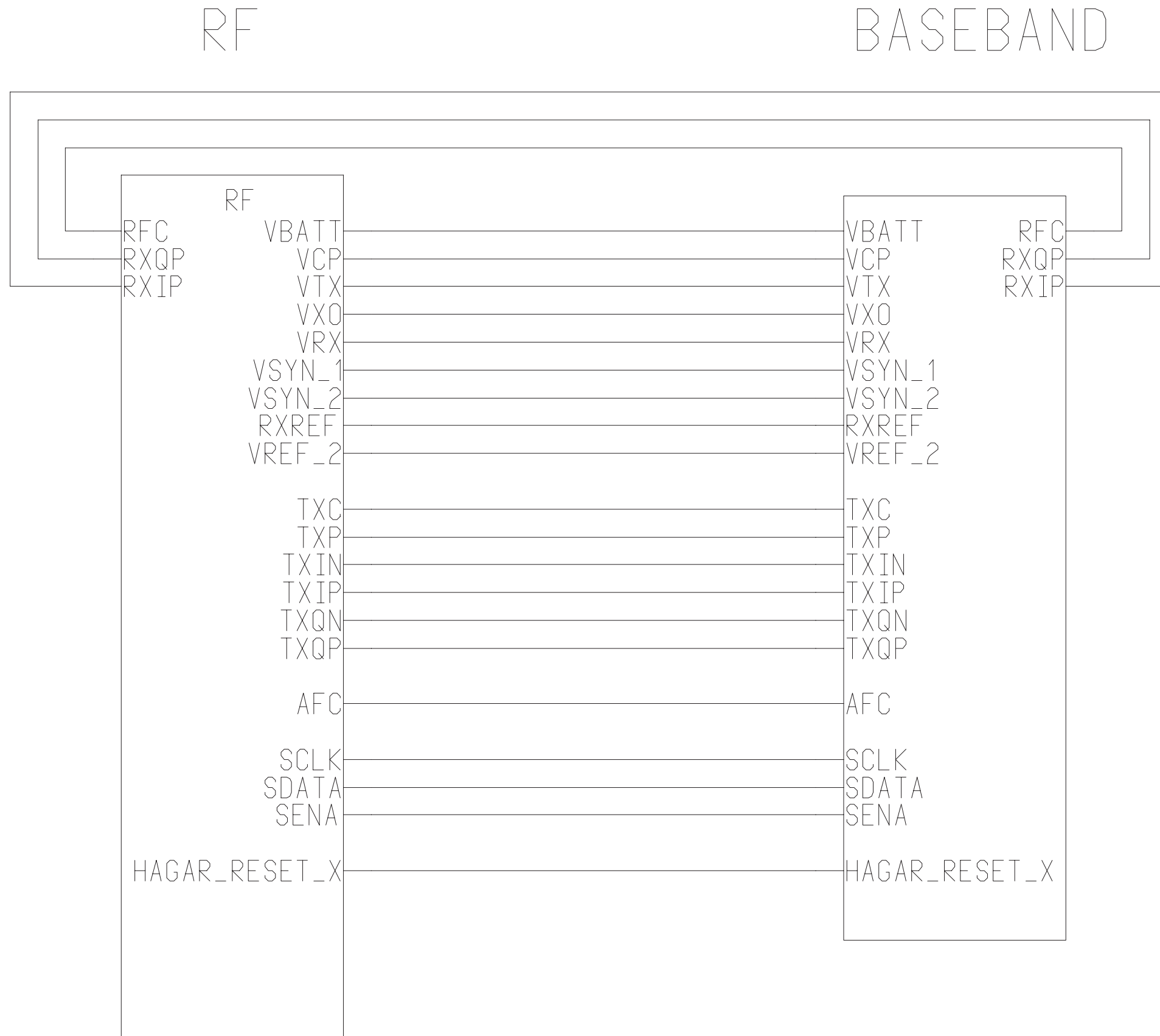
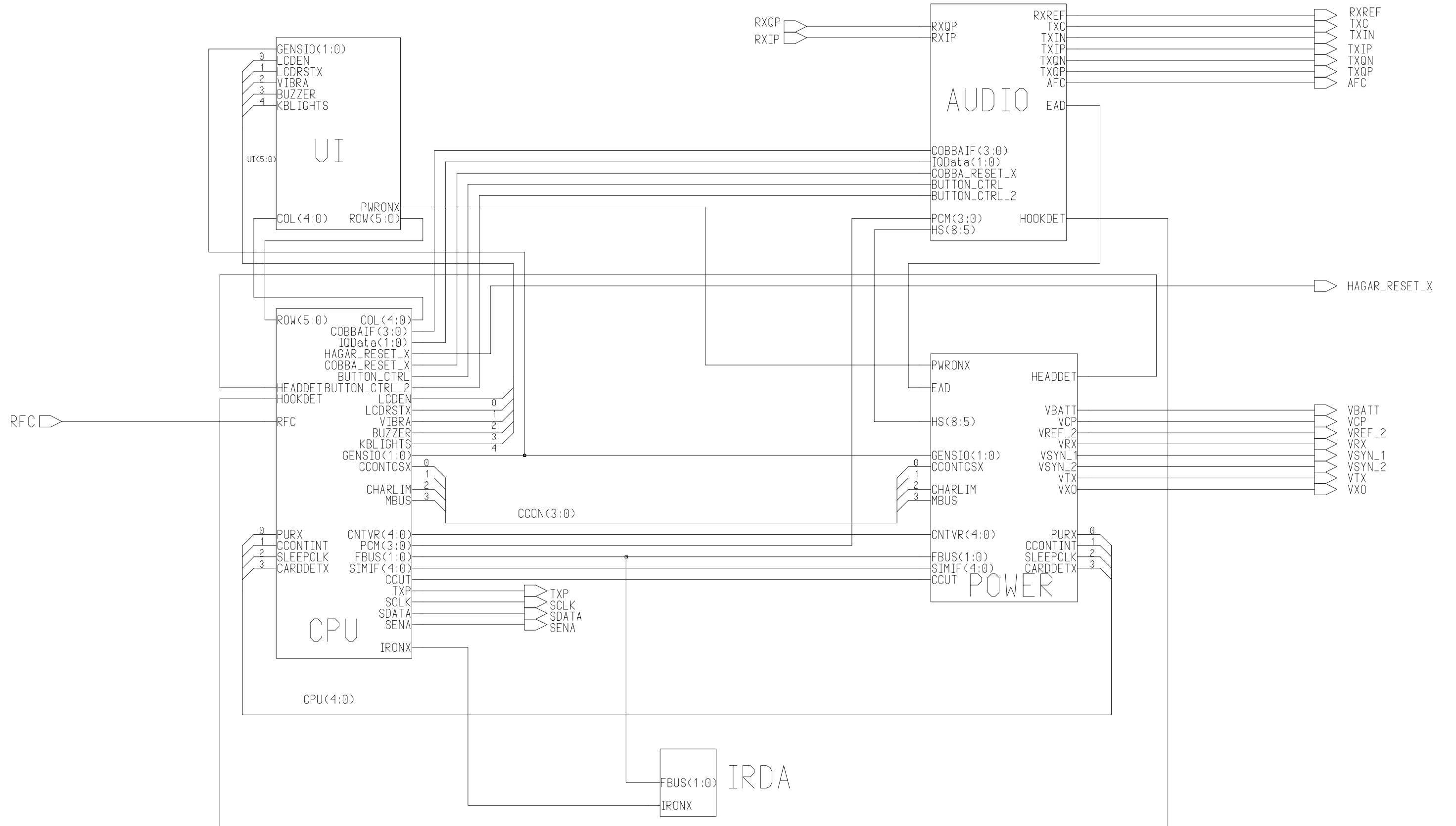


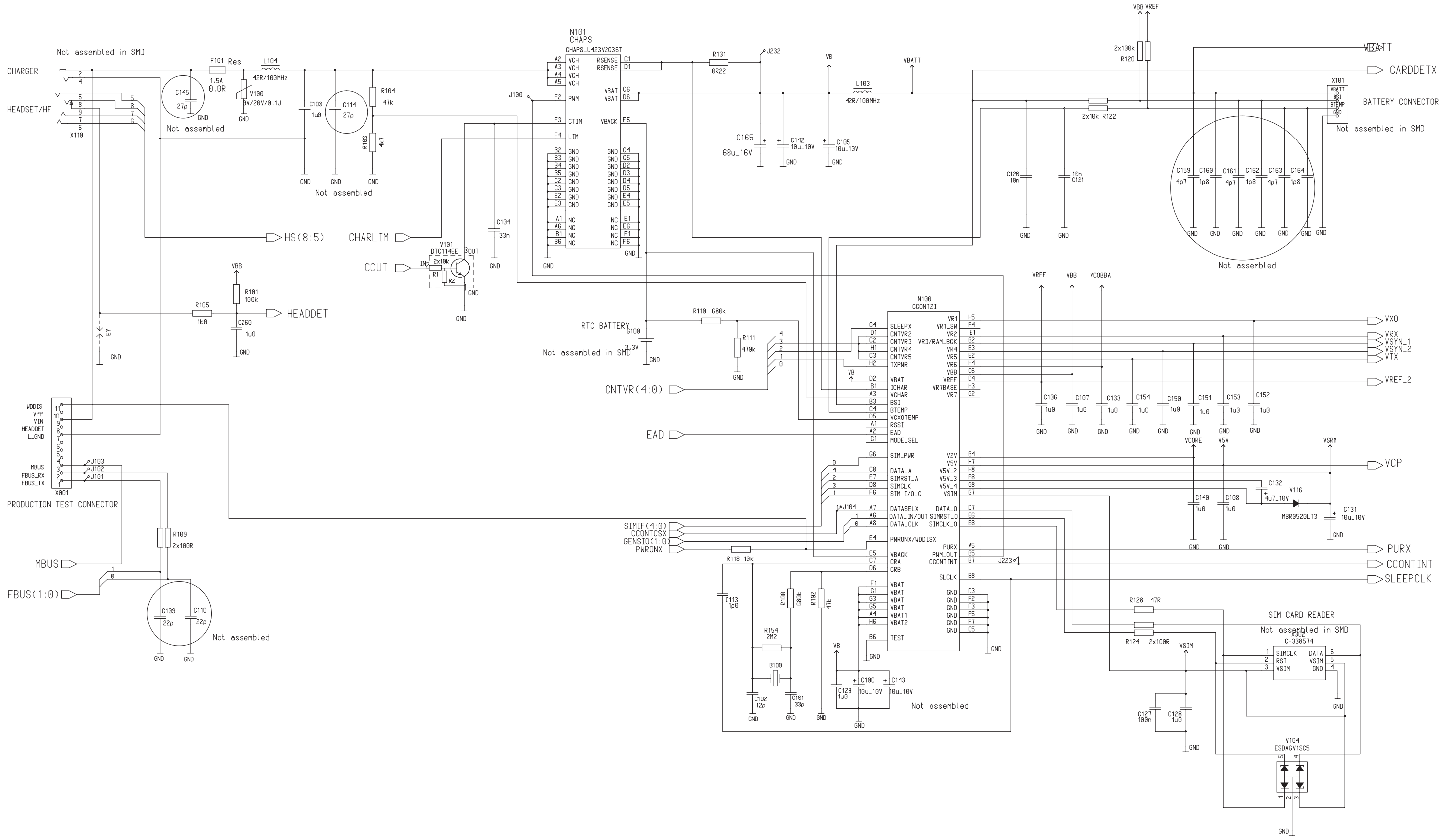
Connection between RF and Baseband modules (Version 12.03 Edit 12) for layout version 12



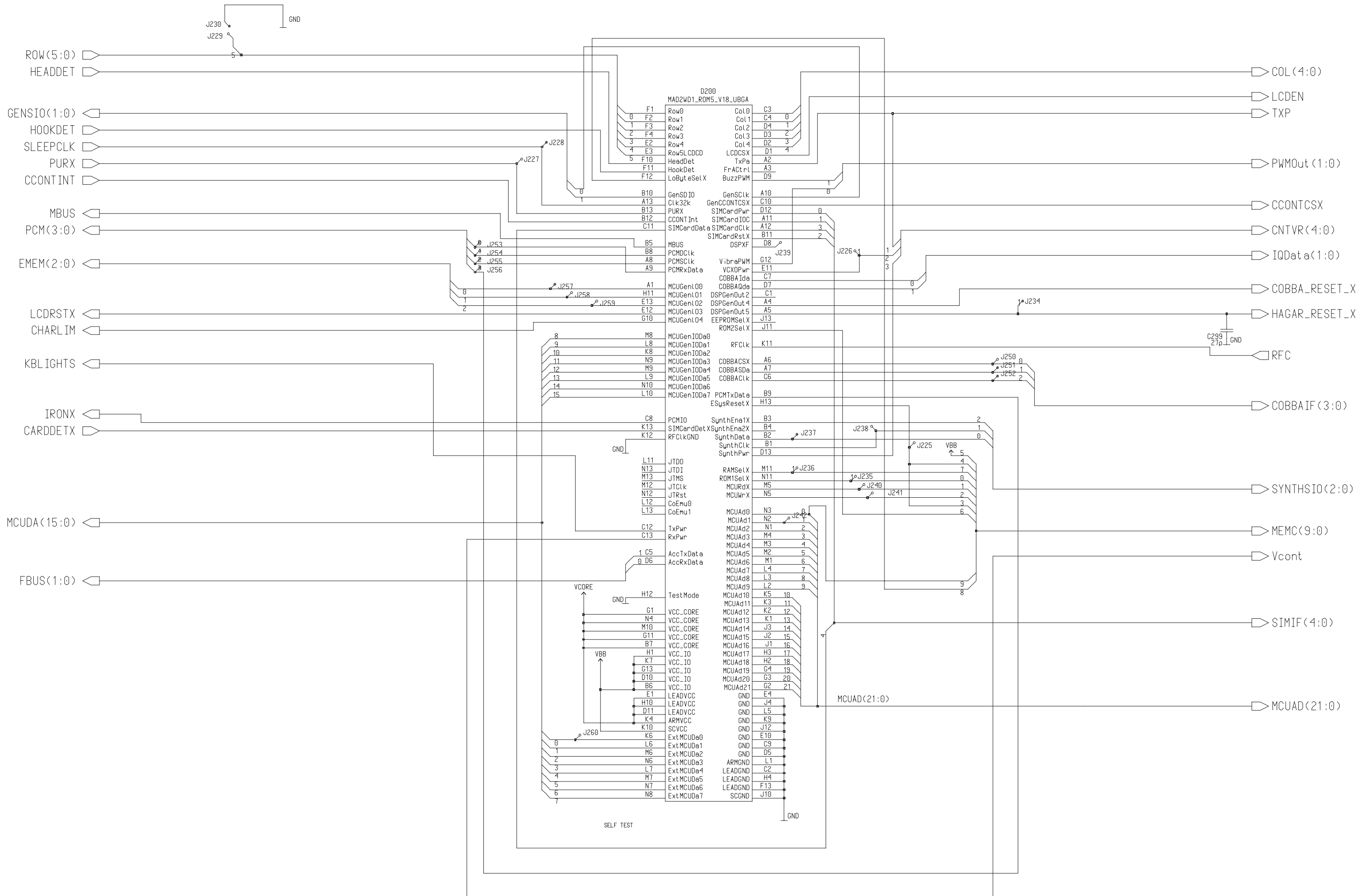
Baseband Block Interconnections (Version 12.03 Edit 12) for layout version 12



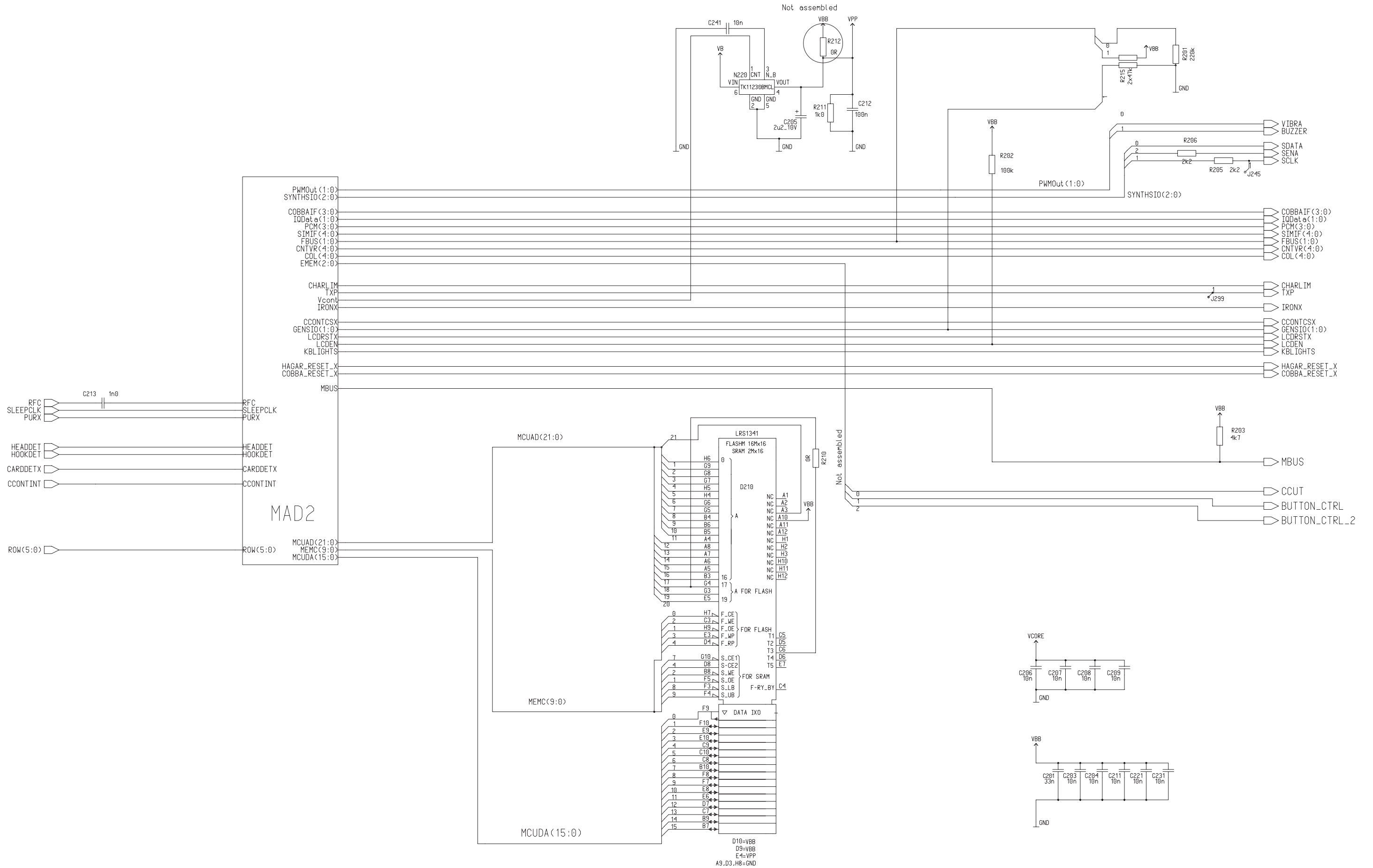
Circuit Diagram of Power Supply (Version 12.03 Edit 16) for layout version 12



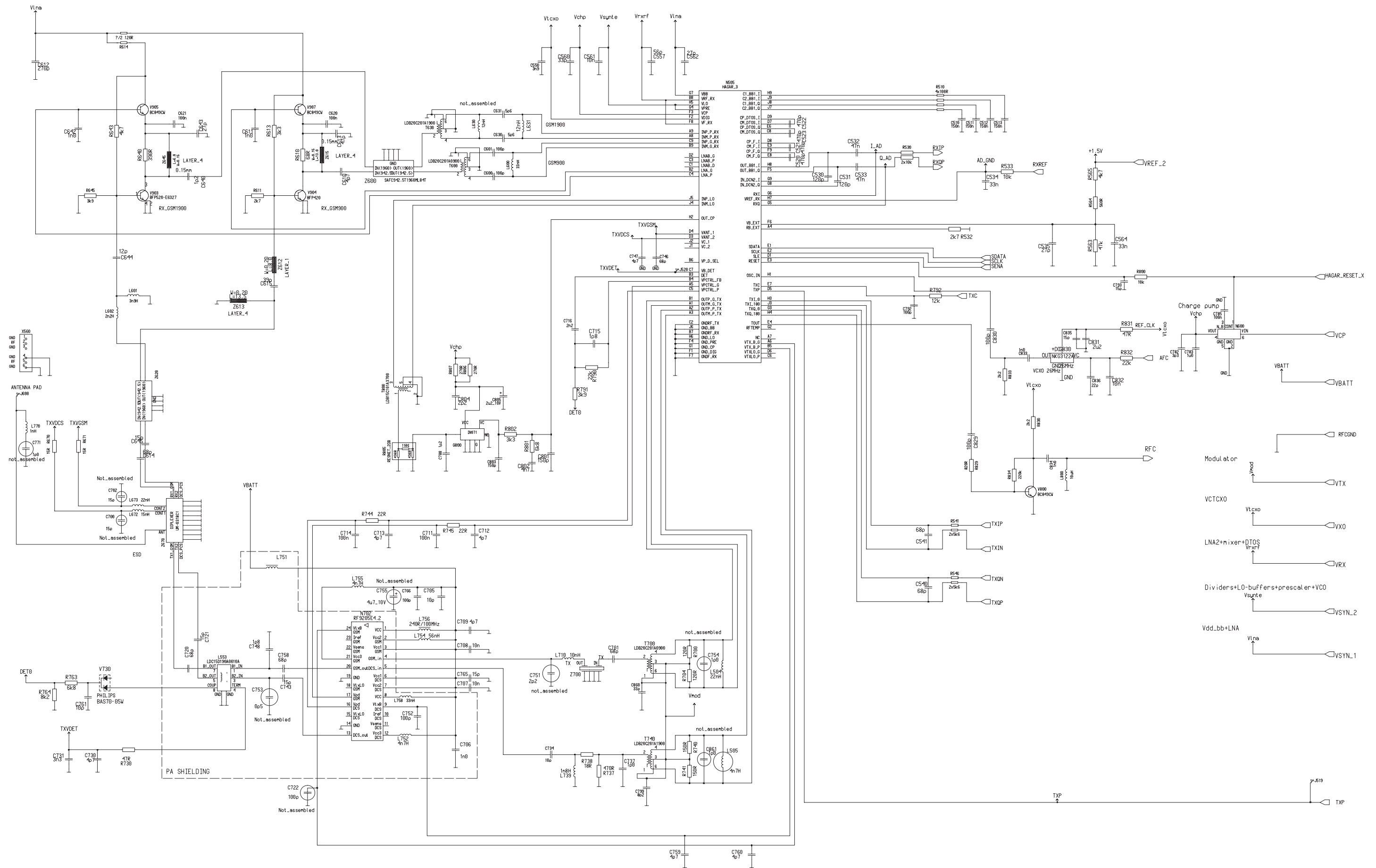
Circuit Diagram of MAD (Version 12.03 Edit 14) for layout version 12



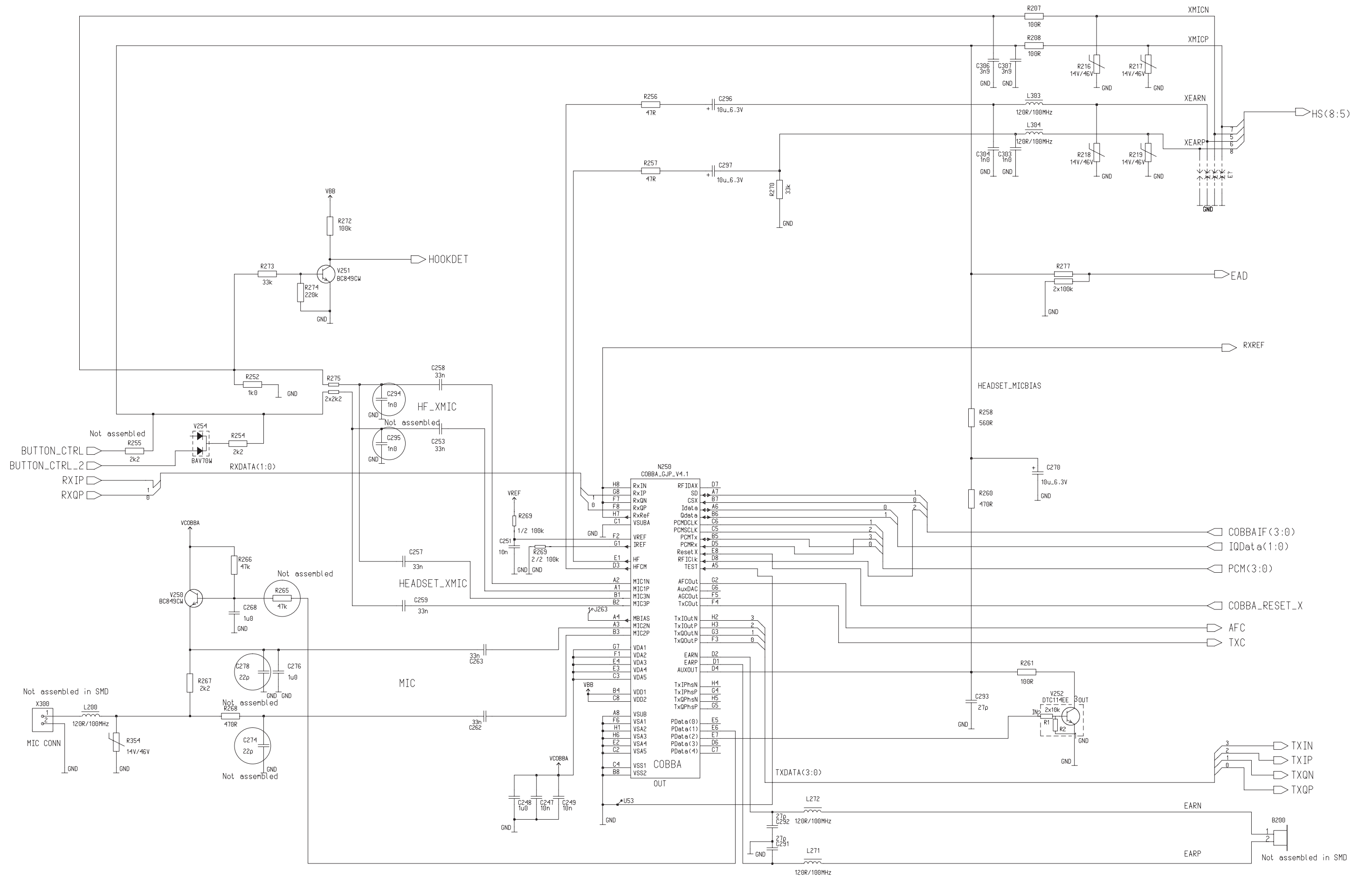
Circuit Diagram of CPU Block (Version 12.03 Edit 14) for layout version 12



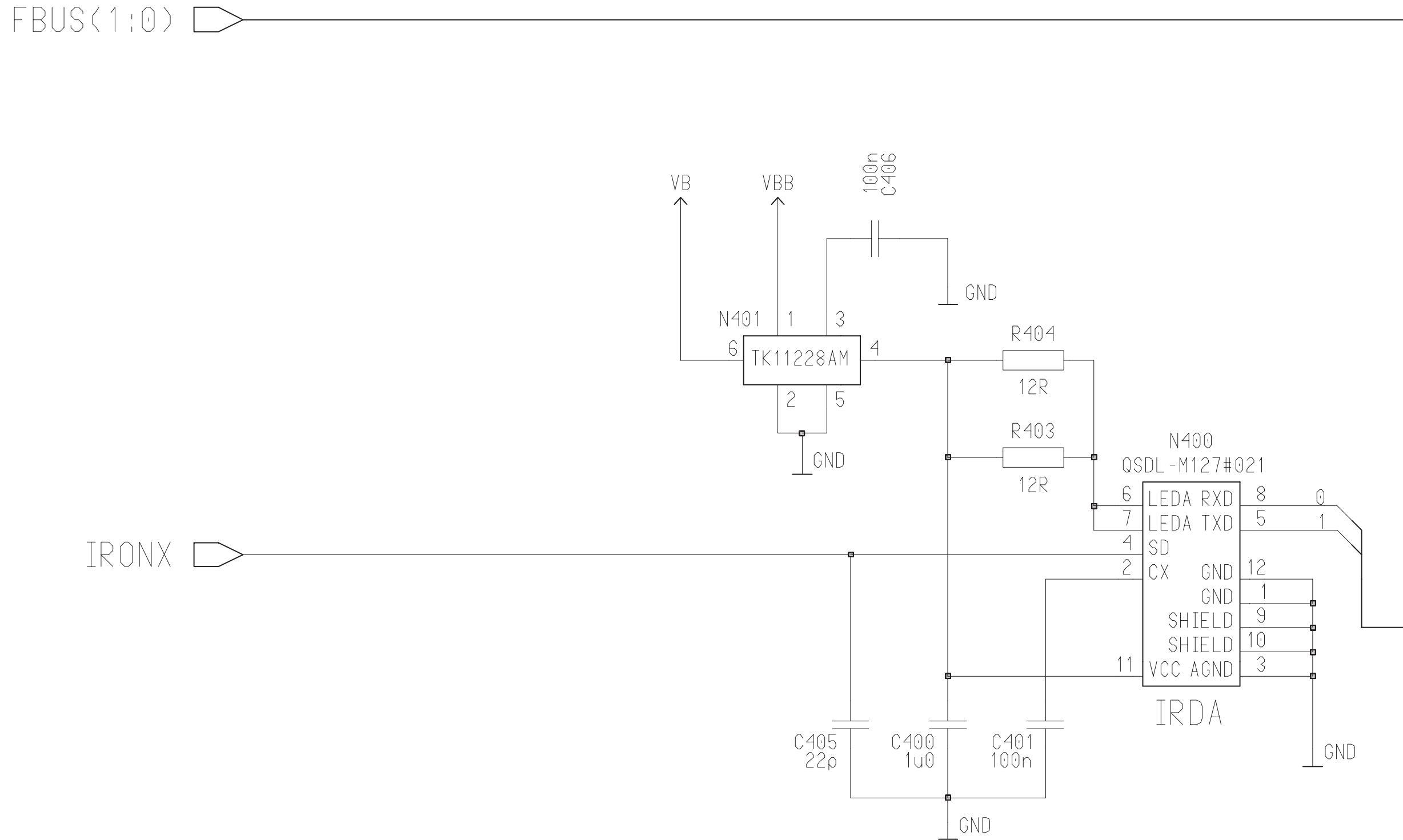
Circuit Diagram of RF Block (Version 12.03 Edit 43) for layout version 12



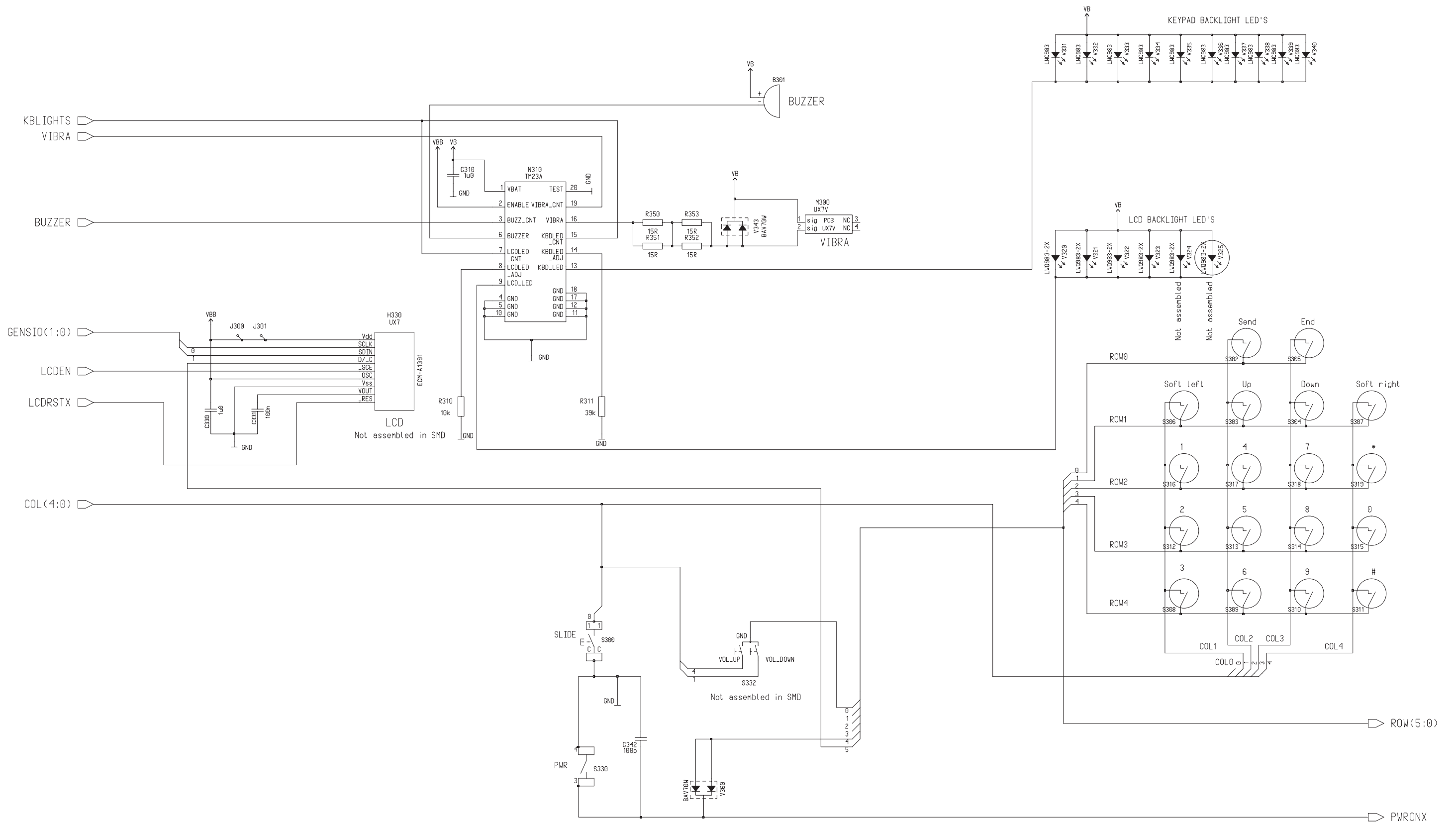
Circuit Diagram of Audio and RFI (Version 12.03 Edit 14) for layout version 12



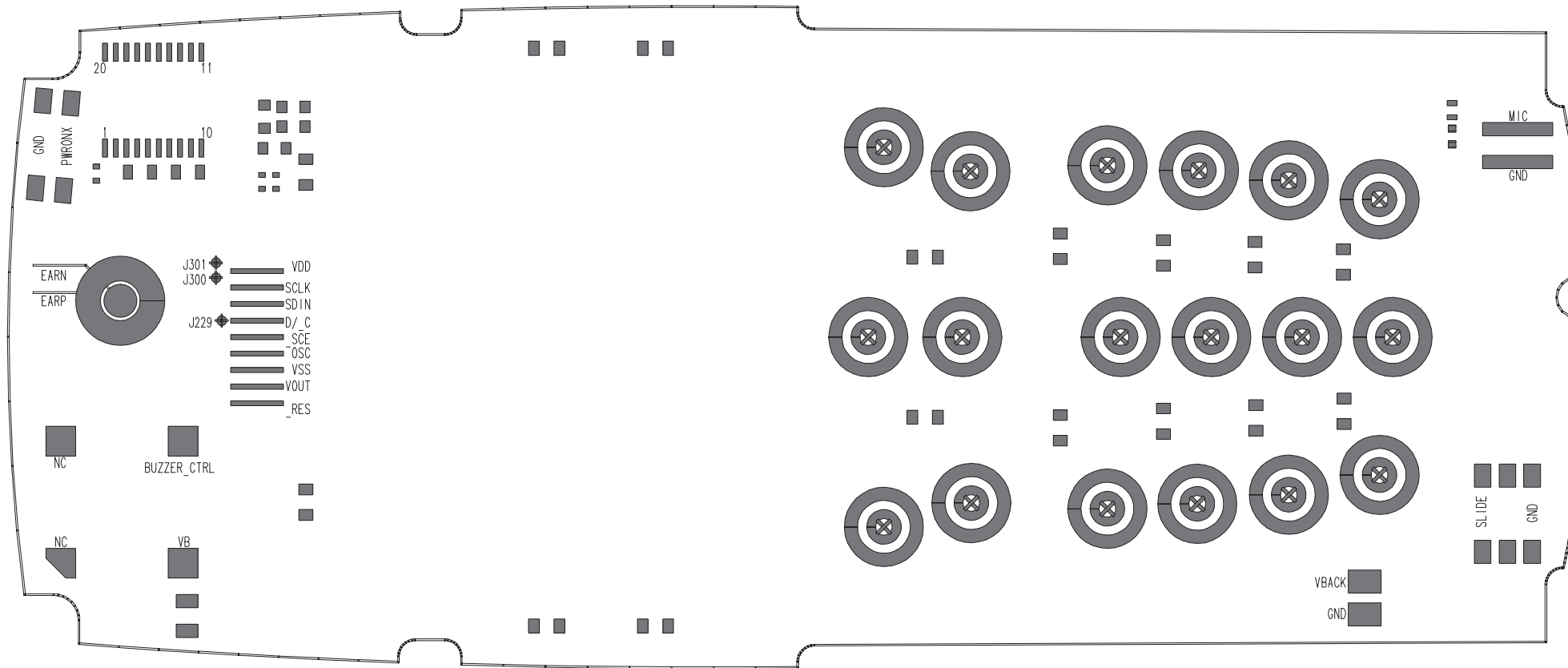
Circuit Diagram of IR Module (Version 12.03 Edit 8) for layout version 12



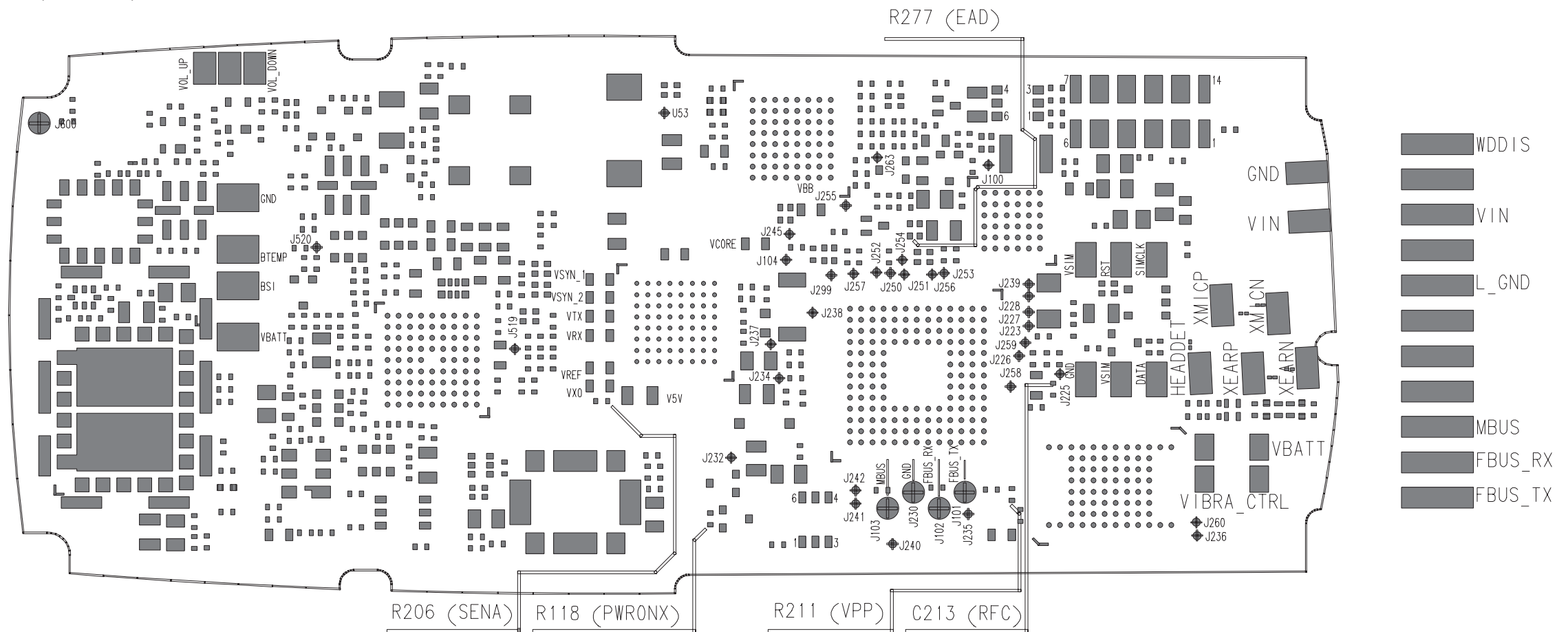
Circuit Diagram of UI (Version 12.03 Edit 12) for layout version 12



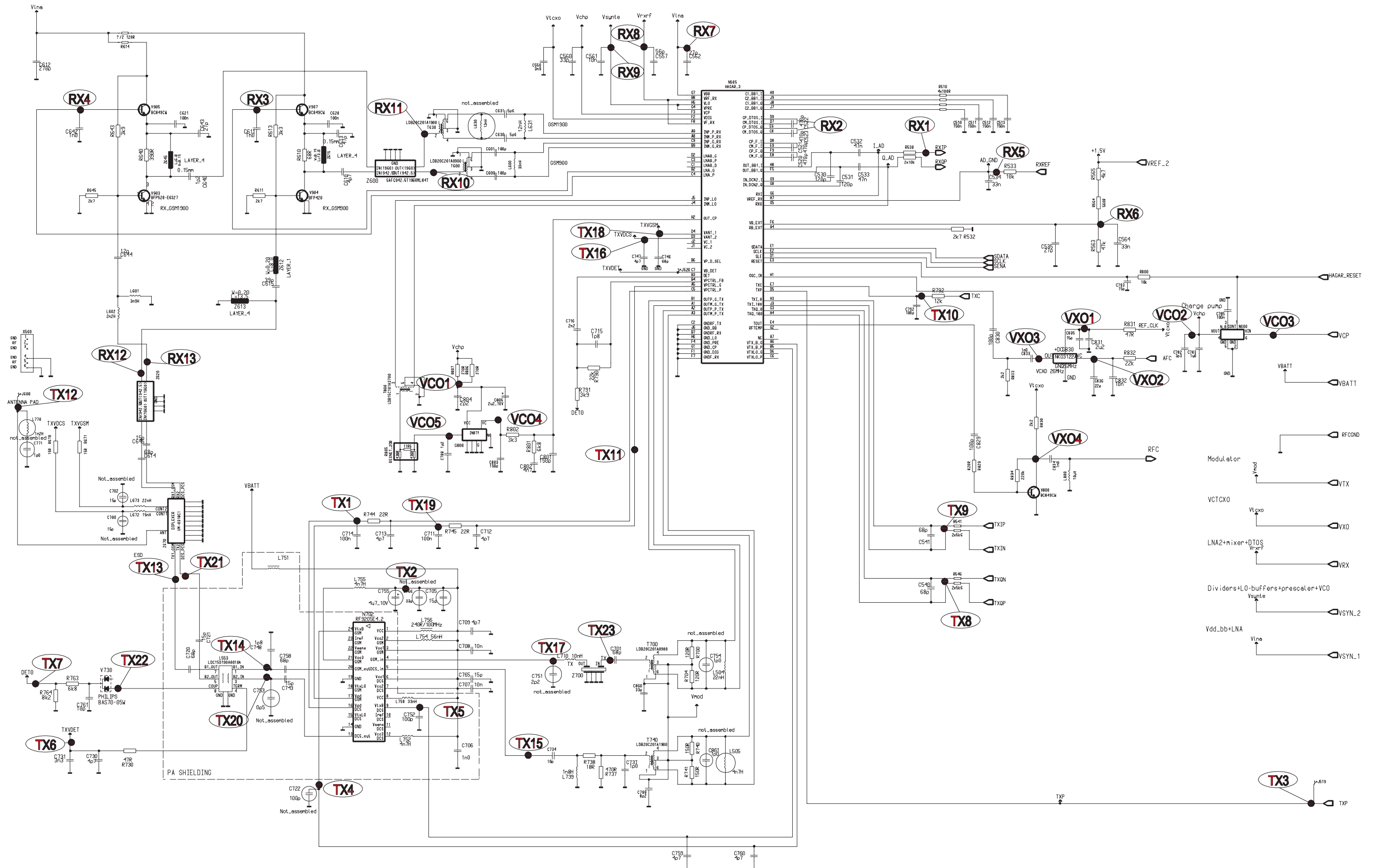
Testpoints of UP9 – Top (Version 12)



Testpoints of UP9 – Bottom (Version 12)



RF Testpoints of UP9 – Circuit Diagram for layout version 12



RF Testpoints of UP9 – layout (version 12)

